



Coimisiún na Scrúduithe Stáit
State Examinations Commission

Scrúdú Ardteistiméireachta 2007
Leaving Certificate Examination 2007

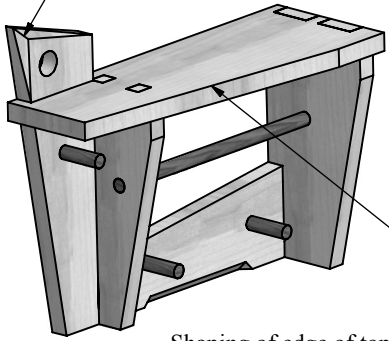
Staidéar Foirgníochta
Adhmadóireacht -Triail Phraiticiúil

Construction Studies
Woodwork - Practical Test

(150 marc/marks)

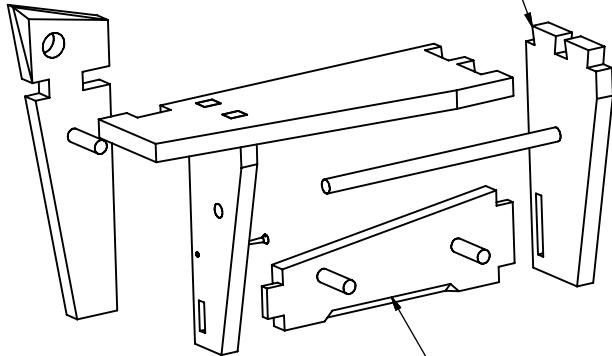
Key Holder / Coinneálaí Eochracha

Chamfers 6mm x 6mm at the corner
Seaimféir 6mm x 6mm ag an gcúinne

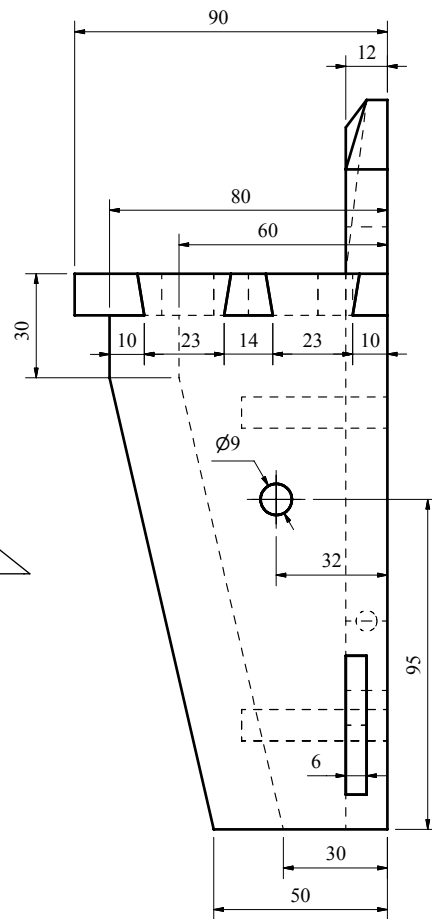


Shaping of edge of top is left to candidate
Fágfar cruth imeall an bhair faoin iarrthóir

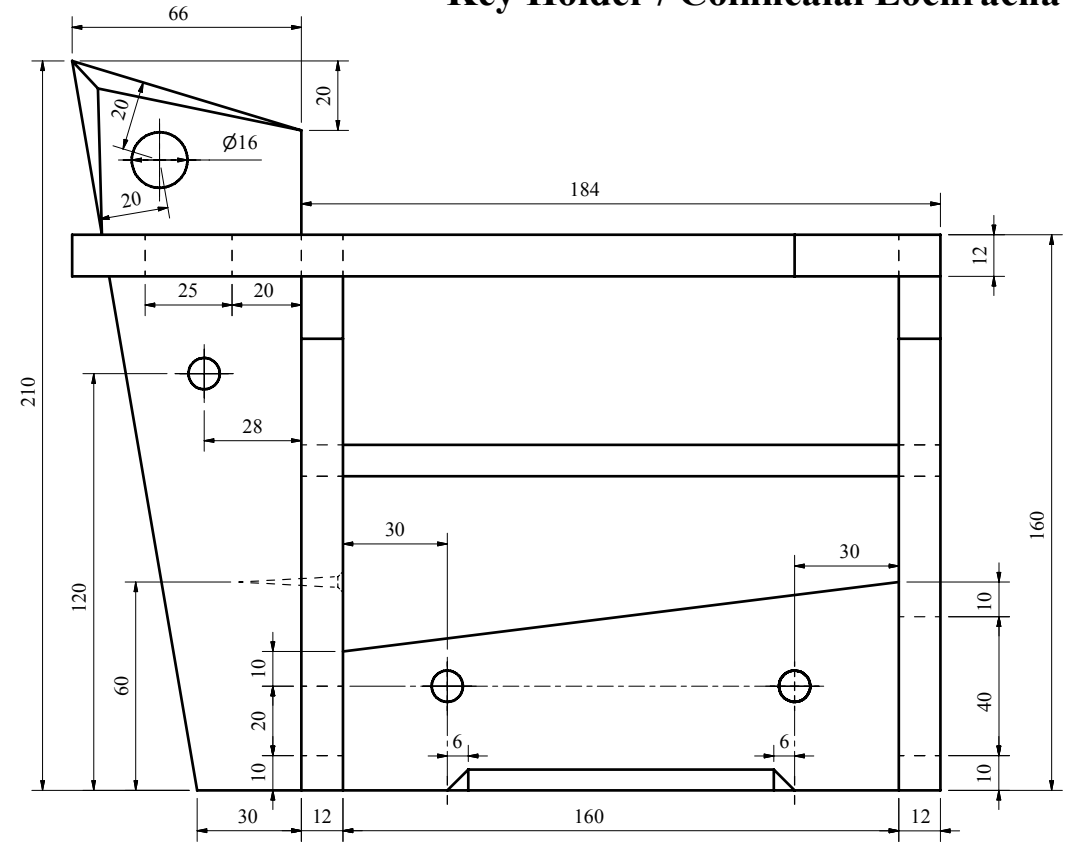
Note: Slope of dovetail/ Nóta: Clonadh an déid 1:6



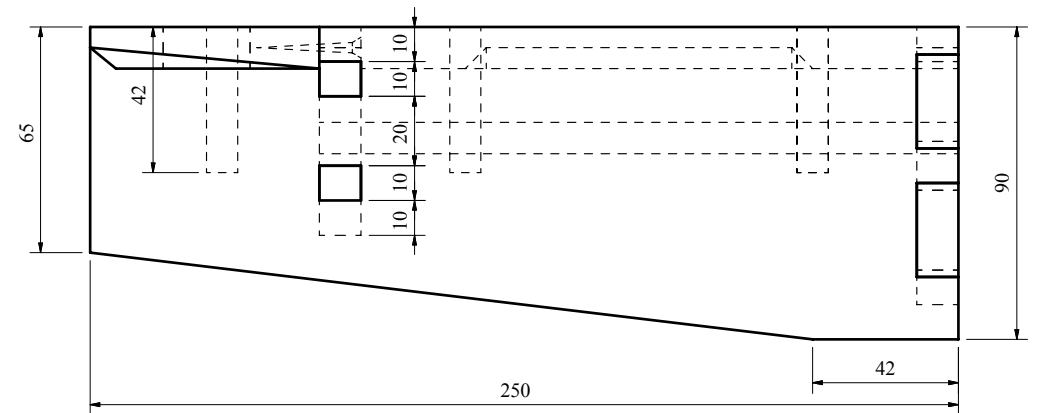
6mm x 6mm stopped chamfer
Seaimféar stoptha 6mm x 6mm



End View/Taobhchló



Elevation/Aghaidhchló



Plan/Bonnchló

Note: Hand up this examination paper to the **Superintendent** at the end of examination.

Nóta: Tabhair ar ais an scrúdpháipéar seo don **Fheitheoir** ag deireadh an scrúdaithe.

Hand up this examination paper to the
Superintendent at the end of the examination

Tabhair ar ais an scrúdpháipéar seo don
Fheitheoir ag deireadh an scrúdaithe